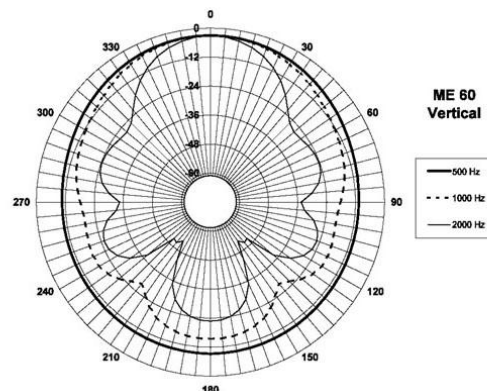
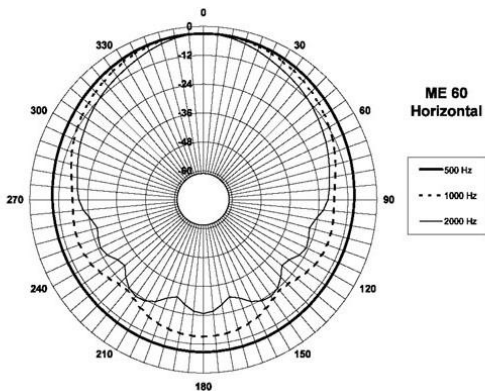




ME60

Horns

2" throat entry
 60° x 40° nominal coverage
 Constant directivity
 Very good loading down to 1 kHz



Specifications

Throat Diameter (1)	50 mm (2 in)
Nominal Coverage Horizontal	60°
Nominal Coverage Vertical	40°
Cutoff Frequency	800 Hz
Material	Cast Aluminium
Dimensions	270x237x202 mm (10.6x9.3x7.9 in)

Mounting and Shipping Info

Four 6.5 mm (0.25 in) holes 90°
 on 102 mm (4 in) diameter

Baffle Cutout Dimensions	232x207 mm (9.1x8.1 in)
Net Weight	1.6 kg (3.5 lb)
Shipping Weight	2.2 kg (4.8 lb)
Shipping Box	290x260x260 mm (11.4x10.2x10.2 in)

¹Horn mounted on B&C DE750 compression driver

Horns
 HF Drivers
 Coaxials
 LF Nd Drivers
 LF Drivers

